

Wiper Motor

Removal and Installation

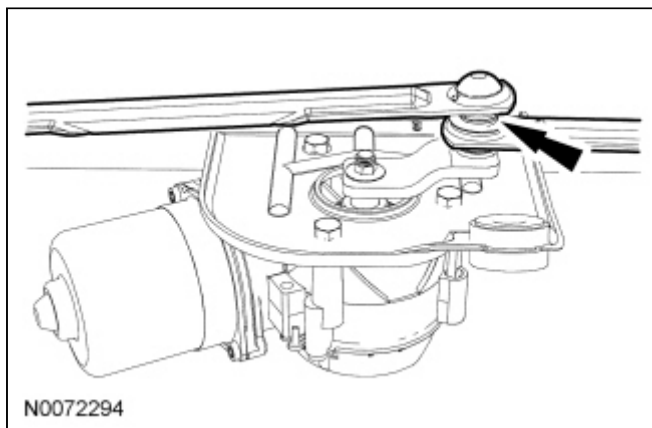
NOTICE: The internal permanent magnets used in the windshield wiper motor are made of a glass-like material. To avoid damaging the magnets, do not handle the windshield wiper motor roughly or strike the motor with a hammer or any other object.

NOTE: A new wiper motor assembly comes with the linkage arm installed.

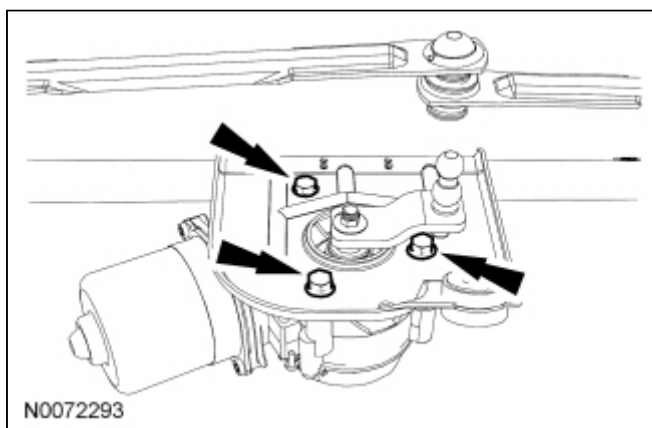
1. Remove the wiper mounting arm and pivot shaft. For additional information, refer to [Wiper Mounting Arm and Pivot Shaft](#) in this section.
2. **NOTE:** Do not remove the wiper motor linkage arm from the wiper motor assembly. If the arm is removed, the wiper arms may not park in the correct location.

Separate the wiper motor linkage arm from the wiper mounting arm and pivot shaft assembly.

- Use a suitable tool at the location shown to separate the wiper linkage arm from the wiper mounting arm and pivot shaft assembly.



3. Remove the 3 bolts and the windshield wiper motor.
 - To install, tighten to 15 Nm (133 lb-in).



4. To install, reverse the removal procedure.

